

# 0.50 mm. FCC/FPC TOP ENTRY ZIF SMT CON.



## 0514 SERIES. 0.50mm (0.020") Pitch.

### General Features

- Available in 4 through 55 circuits
- Zero insertion force (ZIF) and high retention force
- Accept 0.30 mm thickness FPC
- Easy for FPC installation and reliable operation
- With metal fixed SMT tabs to secure connector on PCB

### Materials

- Body: Nylon 46 +40GF UL 94 V-0
- Slider: Nylon 6T+ 30 GF UL 94 V-0
- Contact: Phosphor bronze
- Fixed tab: Brass
- Operating temperature. -40°C to + 85°C
- RoHS compliant

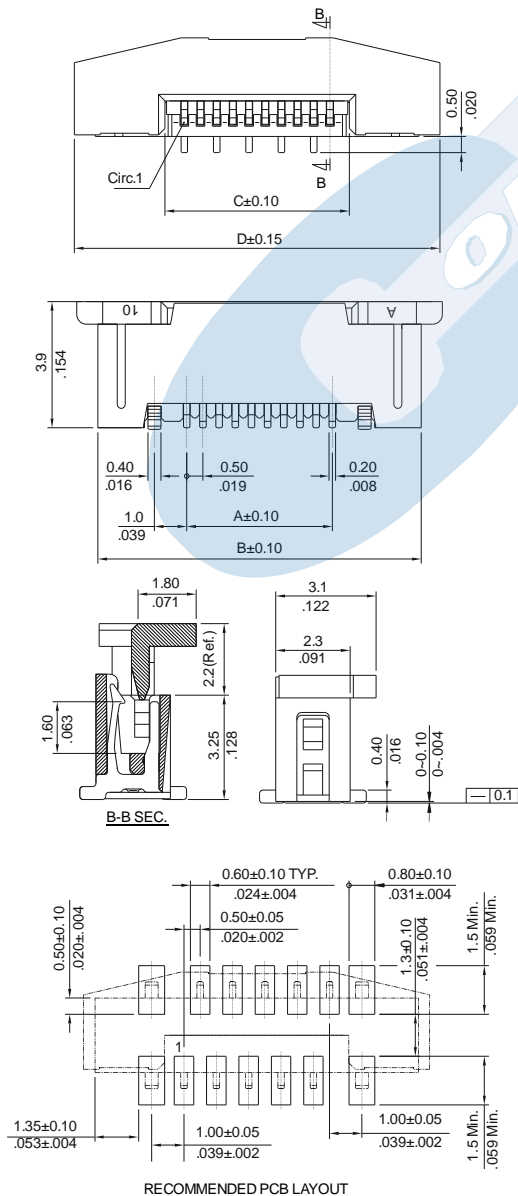
### Dimensions

### Electrical Features

- Voltage rating: < 50 V
- Current rating: < 0.40 A
- Contact resistance: < 30 mΩ
- Dielectric Withstanding Voltage: 250 V AC/minute
- Insulation Resistance: >100 MΩ

### Mechanical Features

- Contact retaining force in insulator: > 0.20
- FPC withdrawal force: > 0.02 Kgf/contact
- Durability: 20 cycles



### Ordering Information:

**0514 - 2- XX- E**  
 1            2            3            4

#### 1. Connector Series

#### 2. (T) Contact Plating

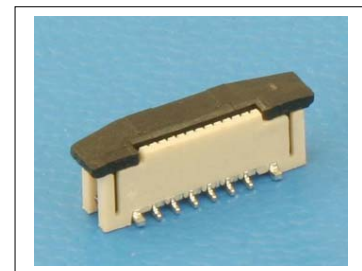
- T = 2. Tin plated

#### 3. (XX) Number of circuits

- Available in 4 through 55 circuits

#### 4. (E) Packing Options

- E = 1. Tube
- E = 2. Reel + Pad



### DIMENSIONS:

$$A = 0.5 \times (xx^* - 1)$$

$$B = 0.5 \times (xx^*) + 5.00$$

$$C = 0.5 \times (xx^*) + 0.7$$

$$C = 0.5 \times (xx^*) + 0.6.30$$

\* (XX) = Circuits (4 through 55)