

0.50 mm. FCC/FPC TOP ENTRY LIF SMT CON.



0536 SERIES. 0.50mm (0.020") Pitch.

General Features

- Available in 4, through 50 circuits
- Low insertion force(LIF) and high retention force
- Accept 0.30 mm thickness FPC
- Dual side contact
- Easy for FPC installation and reliable operation

Materials

- Body: High temperature plastic UL 94 V-0
- Contact: Phosphor bronze
- Operating temperature. -40°C to + 85°C
- RoHS compliant

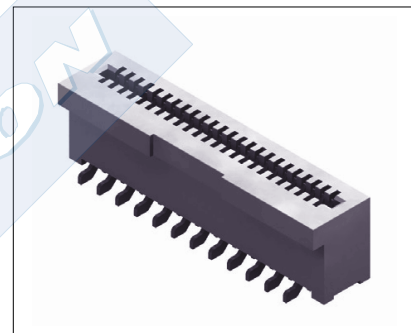
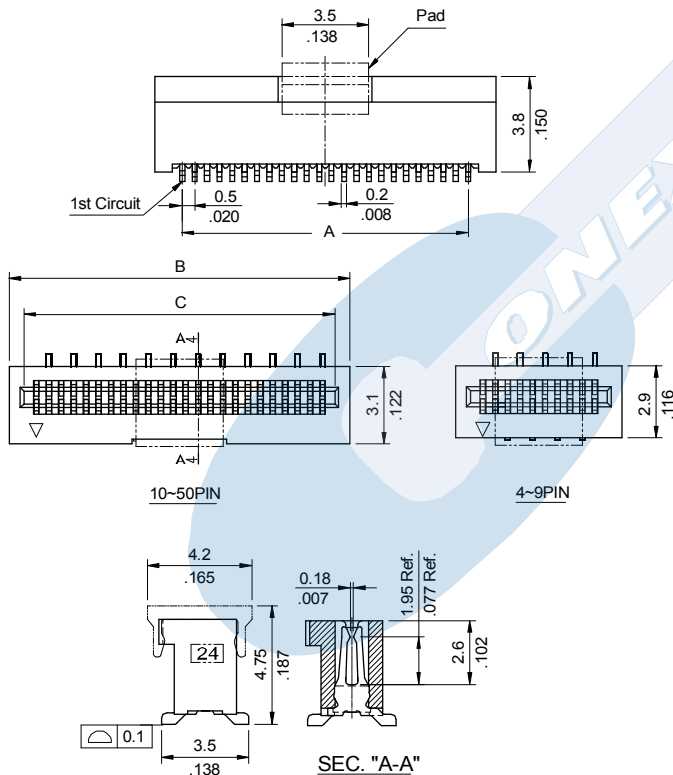
Electrical Features

- Voltage rating: < 50 V
- Current rating: < 0.40 A
- Contact resistance: < 30 mΩ
- Dielectric Withstanding Voltage: 250 V AC/minute
- Insulation Resistance: >100 MΩ

Mechanical Features

- Contact retaining force in insulator : > 0.20 Kgf/contact
- FFC/FPC withdrawal force: > 0.02 Kgf/contact
- Durability: 20 cycles

Materials



Ordering Information:

0536 - 2- XX- 1- E
 1 2 3 4

1. Connector Series

2. (T) Contact Plating

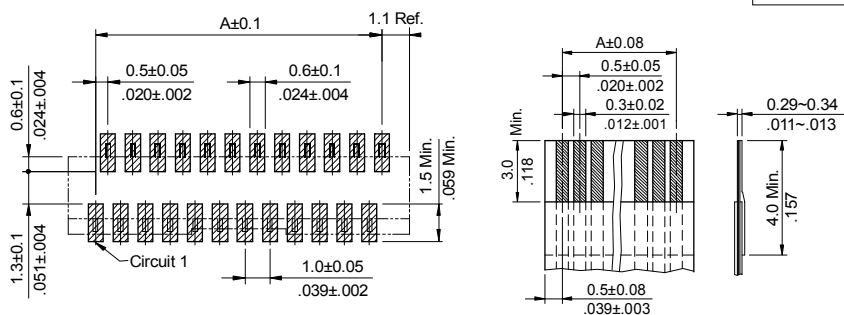
- T = 2. Tin plated

3. (XX) Number of circuits

- Available in 4 through 50 circuits

4. (E) Packing Options

- E = 1. Tube
- E = 2. Reel + Pad



DIMENSIONS:

A = 0.50 x (xx*-1)
 B = 0.50 x (xx*) + 2.00
 C = 0.50 (xx*) + 0.50
 *(XX) = Circuits (4 through 50)