

4.00 to 16 mm. SIDE ENTRY SMT HEADER



3522 SERIES. 4.00/8.00/12.00/16.00 mm. (0.157/0.315/0.630/0.72") Pitch.

General Features

- Available in 2 through 5 circuits
- Mates with 4.00 mm. crimp housing 3520 series
- Fully shrouded with polarized slot

Material

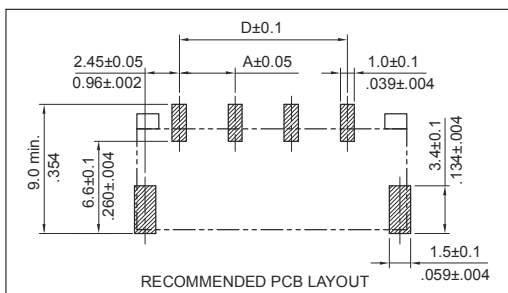
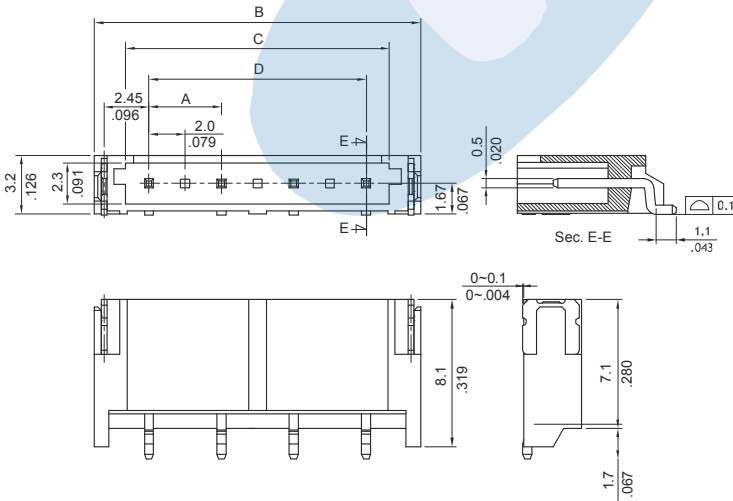
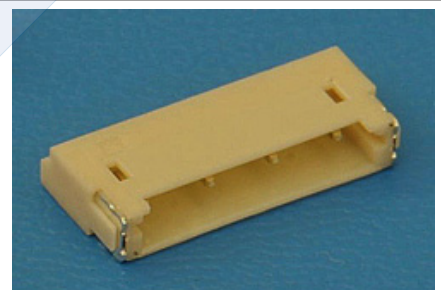
- Insulator: Nylon 6T+30% GF UL 94 V-0
- Operating temperature: -25°C to +85°C
- Terminal: Tin plated brass
- RoHS compliant

Mechanical Features

- Pin retention force to insulator: > 1.0 Kgf
- Durability: 25 cycles

Dimensions

Circuit Size	Part Number	Dimensions			
		A	B	C	D
02	3521-202AE	4.0 (.157)	10.0 (.394)	6.5 (.256)	4.0 (.157)
02	3521-202BE	8.0 (.315)	14.0 (.551)	10.5 (.413)	8.0 (.315)
02	3521-202CE	12.0 (.472)	18.0 (.709)	14.5 (.571)	12.0 (.472)
02	3521-202DE	16.0 (.630)	22.0 (.866)	18.5 (.728)	16.0 (.630)
03	3521-203AE	4.0 (.157)	14.0 (.551)	10.5 (.413)	8.0 (.315)
03	3521-203BE	8.0 (.315)	22.0 (.866)	18.5 (.728)	16.0 (.630)
04	3521-204AE	4.0 (.157)	18.0 (.709)	14.5 (.571)	12.0 (.472)
05	3521-205AE	4.0 (.157)	22.0 (.866)	18.5 (.728)	16.0 (.630)



Electrical Features

- Voltage rating: < 2500 V 2 circuit (16 mm. pitch)
< 2000 V 2 circuit (12 mm. pitch)
< 1500 V 2 circuit (8 mm. pitch)
< 1000 V 2 circuit (4 mm. pitch)
- Current rating: < 1 A
- Contact resistance: < 10 mΩ
- Dielec. withstanding volt.: 1800 V AC/min. (4/8 mm. pitch)
3000 V AC/minute (12 mm pitch)
3500 V AC/minute (16 mm pitch)
- Insulation resistance: >1000 MΩ

3522 - T- XX- P- E
1 2 3 4 5

1. Series

2. (T) Contact finish

- T = 2. Brass plated.

3. (XX) Contact Size

- Available in 2, 3, 4 and 5 circuits

4. (P) Connector Pitch

- P = A. (4.00 mm.)
- P = B. (8.00 mm.)
- P = C. (12.00 mm.)
- P = D. (16.00 mm.)

5. (E) Packing Options

- E = 1. Tube+ Pad
- E = 2. Reel+ Pad