

2.50 mm. WIRE TO WIRE CONNEX. HOUSING



5700 SERIES. 2.50 mm. (0.098") pitch.

General Features

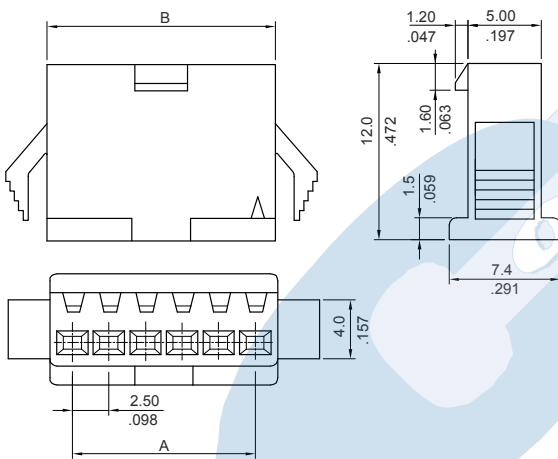
- Available in 2 through 12 circuits
- Allow wire to wire connections
- Polarised with positive locking ramp
- Use crimp terminal 5713 and 5714 series

Materials

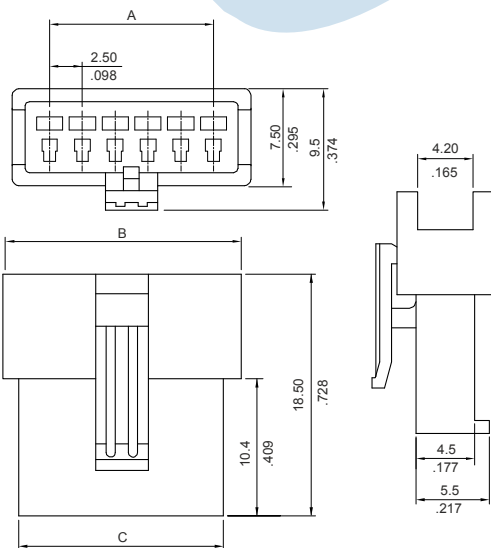
- Insulator: Glass filled Polyester UL 94 V-0
- Operating temperature: -25°C to +85°C
- RoHS compliant
- Contact: Tin plated brass

Dimensional Information

FEMALE CONNECTOR



MALE CONNECTOR



Electrical Features

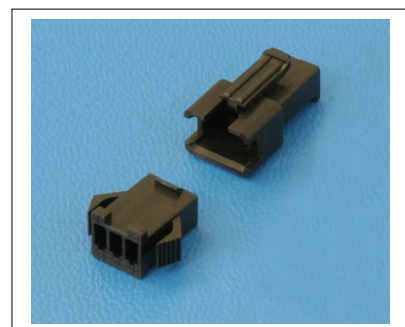
- Voltage rating: < 250V
- Current rating: < 3 A
- Contact resistance: < 20 mΩ
- Dielectric withstanding voltage: 500 V AC/minute
- Insulation resistance: >500 MΩ

Mechanical Features

- Pin retention force to insulator: > 0,50 Kgf
- Insertion force to header: < 0.70 Kgf/pin
- Withdrawal force from header: < 0.060 Kgf/pin
- Durability: 25 cycles

Circuits	Part Number	Dimensions	
		A	B
02	5700-1021	2,50(0,098)	5,70(0,224)
03	5700-1031	5,00(0,197)	8,20(0,323)
04	5700-1041	7,50(0,295)	10,70(0,421)
05	5700-1051	10,00(0,394)	13,20(0,520)
06	5700-1061	12,50(0,492)	15,70(0,618)
07	5700-1071	15,00(0,591)	18,20(0,717)
08	5700-1081	17,50(0,689)	20,70(0,815)
09	5700-1091	20,00(0,787)	23,20(0,913)
10	5700-1101	22,50(0,886)	25,70(1,012)
11	5700-1111	25,00(0,984)	28,20(1,110)
12	5700-1121	27,50(1,083)	30,70(1,209)

Circuits	Part Number	Dimensions		
		A	B	C
02	5700-2021	2,50(0,098)	8,20(0,323)	5,50(0,216)
03	5700-2031	5,00(0,297)	10,70(0,421)	8,00(0,315)
04	5700-2041	7,50(0,295)	13,20(0,519)	10,50(0,413)
05	5700-2051	20,00(0,394)	15,70(0,618)	13,00(0,512)
06	5700-2061	22,50(0,492)	18,20(0,717)	15,50(0,610)
07	5700-2071	25,00(0,592)	20,70(0,815)	18,00(0,709)
08	5700-2081	27,50(0,689)	23,20(0,913)	20,50(0,807)
09	5700-2091	20,00(0,787)	25,70(1,012)	23,00(0,905)
10	5700-2101	22,50(0,886)	28,20(1,110)	25,50(1,004)
11	5700-2111	25,00(0,984)	30,70(1,209)	28,00(1,102)
12	5700-2121	27,50(2,083)	33,20(1,307)	30,50(1,201)

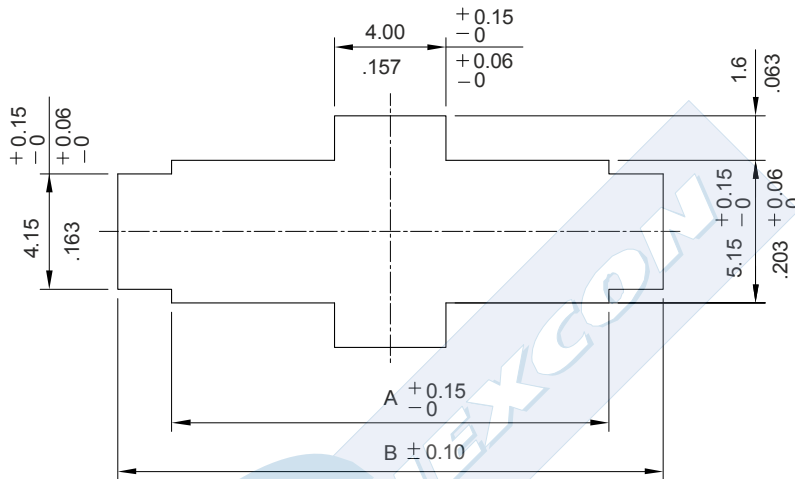


2.50 mm. WIRE TO WIRE CONNEC. HOUSING



5700 SERIES. 2.50 mm. (0.098") pitch.

RECOMMENDED HOLE PATTERN



Circuits	Part Number	Dimensions					
		Thickness 0.5~0.9 mm. (.020"~.035")		Thickness 1.0~1.5 mm. (.020"~.035")		Thickness 1.5~2.0 mm. (.020"~.035")	
		A	B	A	B	A	B
02	5700-2021	5.80(0.228)	9.60(0.378)	5.80(0.228)	9.80(0.386)	5.80(0.228)	10.00(0.394)
03	5700-2031	8.30(0.327)	12.10(0.476)	8.30(0.327)	12.30(0.484)	8.30(0.327)	12.50(0.492)
04	5700-2041	10.80(0.425)	14.60(0.575)	10.80(0.425)	14.80(0.583)	10.80(0.425)	15.00(0.591)
05	5700-2051	13.30(0.524)	17.10(0.673)	13.30(0.524)	17.30(0.681)	13.30(0.524)	17.50(0.689)
06	5700-2061	15.80(0.622)	19.60(0.772)	15.80(0.622)	19.80(0.780)	15.80(0.622)	20.00(0.787)
07	5700-2071	18.30(0.720)	22.10(0.870)	18.30(0.720)	22.30(0.878)	18.30(0.720)	22.50(0.886)
08	5700-2081	20.80(0.819)	24.6(0.969)	20.80(0.819)	24.80(0.976)	20.80(0.819)	25.00(0.984)
09	5700-2091	23.30(0.917)	27.10(1.067)	23.30(0.917)	27.30(1.075)	23.30(0.917)	27.50(1.083)
10	5700-2101	25.80(1.016)	29.60(1.165)	25.80(1.016)	29.80(1.173)	25.80(1.016)	30.00(1.181)
11	5700-2111	28.30(1.114)	32.10(1.264)	28.30(1.114)	32.30(1.272)	28.30(1.114)	32.50(1.280)
12	5700-2121	30.80(1.213)	34.60(1.362)	30.80(1.213)	34.80(1.370)	30.80(1.213)	35.00(1.378)