

2.50 mm. SINGLE ROW SIDE ENTRY HEADER



5722 SERIES. 2.50 mm. (0.098") pitch. NANO POWER.

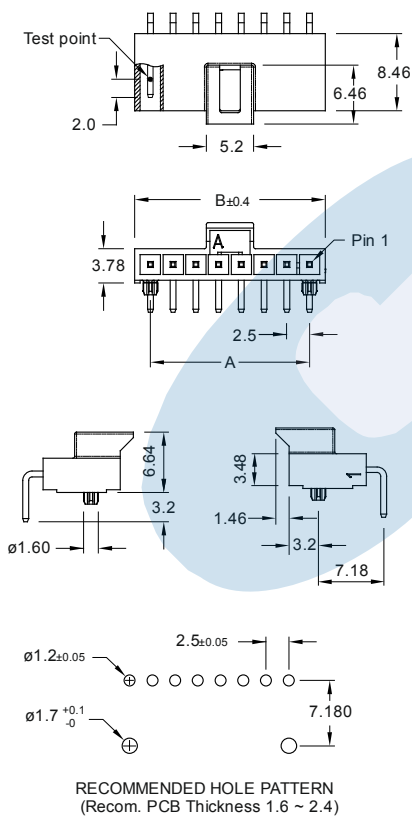
General Features

- Available in 2 through 8 circuits
- Mates with 2.50 mm. pitch crimp housing 5720 series
- Tin plated 0.64 mm. square pin
- Fully shrouded with polarized slot and extra polarizing key A or B
- Positive lock

Materials

- Insulator: LCP UL 94 V-0
- Terminal: Tin plated brass high conductivity
- Operating temperature: -40°C to +105°C
- RoHS compliant

Dimensional Information

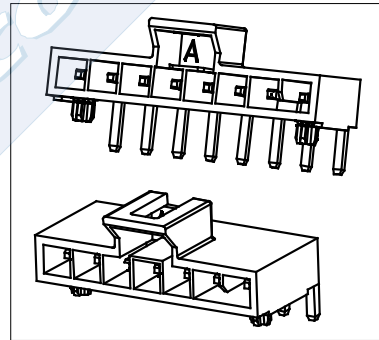


Electrical Features

- Voltage rating: < 250V
- Current rating: < 4 A
- Contact resistance: < 10 mΩ
- Dielectric withstanding voltage: 500 V AC/minute
- Insulation resistance: >1000 MΩ

Mechanical Features

- Pin retention force to insulator: < 1.50 Kgf
- Durability: 25 cycles



Ordering Information:

5722 - 2- XX- 1- P

1 2 3

1. Connector Series

2. (XX) Number of circuits

- Available in 2 through 8 circuits

3. (P) Polarising Options

- P = A. Polarising A Type (Black Colour)
- P = B. Polarising B Type (Natural Colour)

Dimensions: (In mm.)

A = 2.50 x (XX*-1)

B = 2.50 x (XX*)+0.94

* XX (Number of circuits)

