

CRIMP FEMALE TERMINAL 20-30 AWG



5742 – 5744 SERIES. 3.00 (0.118") mm. Pitch.

General Features

- Accommodates wire range AWG 20 through 30
- Use in housing 3.00 mm. pitch 5740 and 5750 series
- Male contact fin plated locking lance
- Maximum insulation diameter 1.80 mm (0.071")

Materials

- Contact: Phosphor bronze
- Operating temperature: -40°C to +105°C

Electrical Features

- Current rating: < 5 A
- Contact resistance: < 10 mΩ

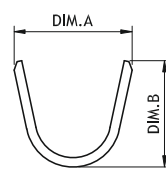
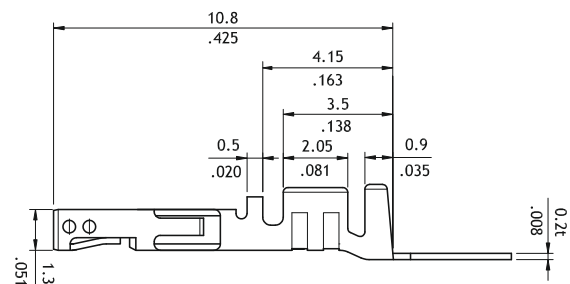
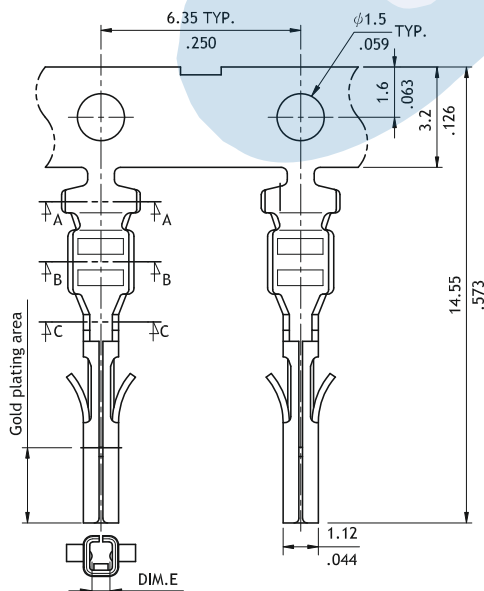
Mechanical Features

- Durability: 25 cycles
- Wire pull-out force:

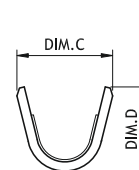
7.00 Kgf	20 AWG	2.00 Kgf	26 AWG
5.00 Kgf	22 AWG	1.20 Kgf	28 AWG
3.00 Kgf	24 AWG	0.80 Kgf	30 AWG

Dimensional Information

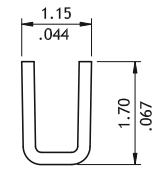
Part Number	Dimensions (mm.)					Material	Cable	Insulation diameter	Packing options
	A	B	C	D	E				
5742 – 2000	2.50	2.40	2.10	2.00	0.55	Phosphor bronze	20 – 24 AWG	1.35 mm. Max.	Chain
5742 – 2001	2.50	2.40	2.10	2.00	0.55	Phosphor bronze	20 – 24 AWG	1.35 mm. Max.	Loose piece
5744 – 2000	2.10	1.90	1.70	1.50	0.55	Phosphor bronze	26 – 30 AWG	1.80 mm. Max.	Chain
5744 – 2001	2.10	1.90	1.70	1.50	0.55	Phosphor bronze	26 – 30 AWG	1.80 mm. Max.	Loose piece



SEC: A-A



SEC: B-B



SEC: C-C