

3.00 mm. MICRO HIGH TOP ENTRY HEADER



5745 H SERIES. 3.00 x 3.00 mm. (0.118 x 0.118") pitch. High Current

General Features

- Available in 2 through 24 circuits
- Mates with 3.00 mm. crimp housing 5740H series
- Tin plated 0.64 mm. square pin
- Strong polarization with Positive lock system
- Allows wire to PCB connections

Materials

- Insulator: LCP UL 94 V-0
- Contact: brass alloy
- Operating temperature: -40°C to +105°C
- RoHS compliant

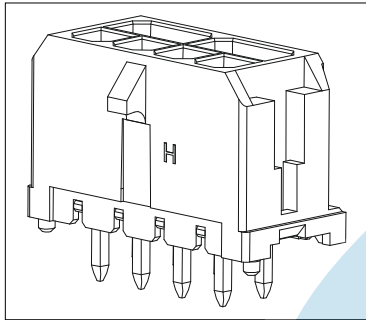
Dimensional Information

Electrical Features

- Voltage rating: < 600V
- Current rating: 12.5 A maximum depending size cable and number of circuits. More information check **5740H** series
- Contact resistance: < 6 mΩ maximum
- Dielectric withstanding voltage: 1000 V AC/minute
- Insulation resistance: >1000 MΩ

Mechanical Features

- Pin retention to header: > 0.13 Kgf
- Insertion force to header: <0.80 Kgf/pin tin plated
<0.56 Kgf/gold plated
- Withdrawal force from header: <0.20 Kgf/pin tin plated
<0.15 Kgf/ gold plated
- Durability: 30 cycles



Circuits	Part Number	Dimensions				
		A	B	C	D	E
2	5745H - 2021	6.65	N/A	6.00	2.95	7.15
4	5745H - 2041	9.65	3.00	9.00	2.95	10.15
6	5745H - 2061	12.65	6.00	12.00	2.95	13.15
8	5745H - 2081	15.65	9.00	15.00	7.70	16.15
10	5745H - 2101	18.65	12.00	18.00	10.70	19.15
12	5745H - 2121	21.65	15.00	21.00	13.70	22.15
14	5745H - 2141	24.65	18.00	24.00	16.70	25.15
16	5745H - 2161	27.65	21.00	27.00	19.70	28.15
18	5745H - 2181	30.65	24.00	30.00	22.70	31.15
20	5745H - 2201	33.65	27.00	33.00	25.70	34.15
22	5745H - 2221	36.65	30.00	36.00	28.70	37.15
24	5745H - 2241	39.65	33.00	39.00	31.70	40.15

