

TOP ENTRY JACK FCC-68



7623 SERIES. Vertical PCB Jack. Low profile.

General Features

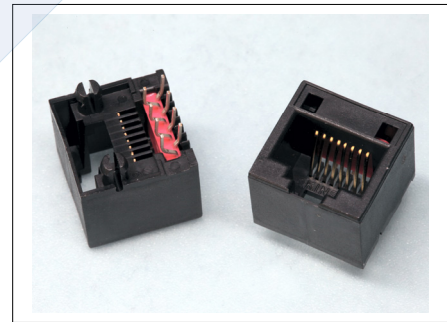
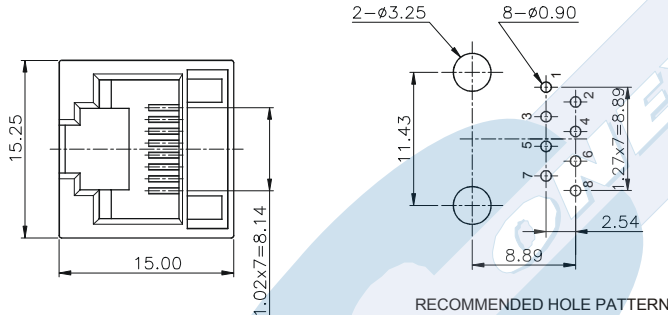
- Available in 8/8 circuits
- Standar telephone jack FCC-68
- Low profile, 12.70 mm. height
- Accept estándar telephonic plugs FCC-68
- Selective gold plating with different finish
- Bifurcated plastic foot print

Materials

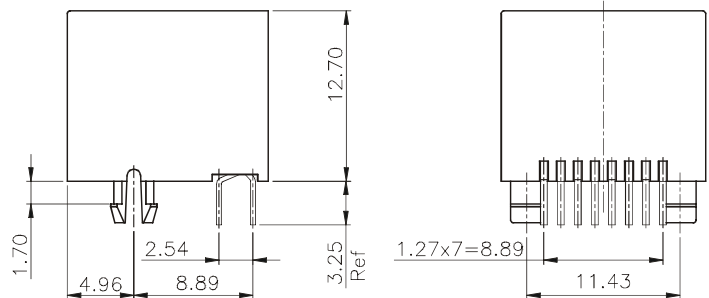
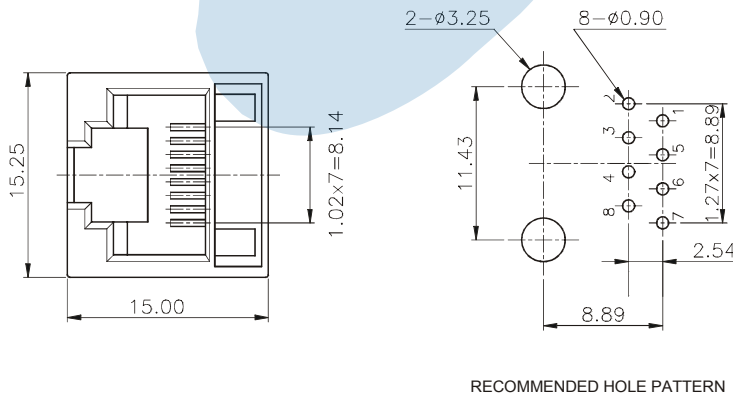
- Insulator: Termoplastic UL 94V-0
- Contact: 0.35 mm. phosphor bronze
- Operating temperature: -25°C to + 85°C
- RoHS compliant

Dimensions

standard Version



Category 5 Version



Electrical Features

- Voltage rating: < 125V
- Current rating: < 1.50 A
- Contact resistance: < 20 mΩ
- Dielectric withstanding: 300 V AC/minute
- Insulation Resistance: >1000 MΩ

Mechanical Features

- Durability: 1000 cycles

Código:

7623 - T- XX- V*
 1 2 3 4

1. Serie

2. T = Plating Options

- T = 4. 6μ" gold over nickel
- T = 5. 15μ" gold over nickel
- T = 6. 30μ" gold over nickel
- T = 7. 50μ" gold over nickel

3. (XX) Circuits

- Available in 8/8 circuits

4. (V) Connector version

- V = 1. Standar Version
- V = 5. 5 Category