

TOP ENTRY SMT PCB JACK FCC-68



7624 SERIES. Vertical SMT PCB jack. Low Profile.

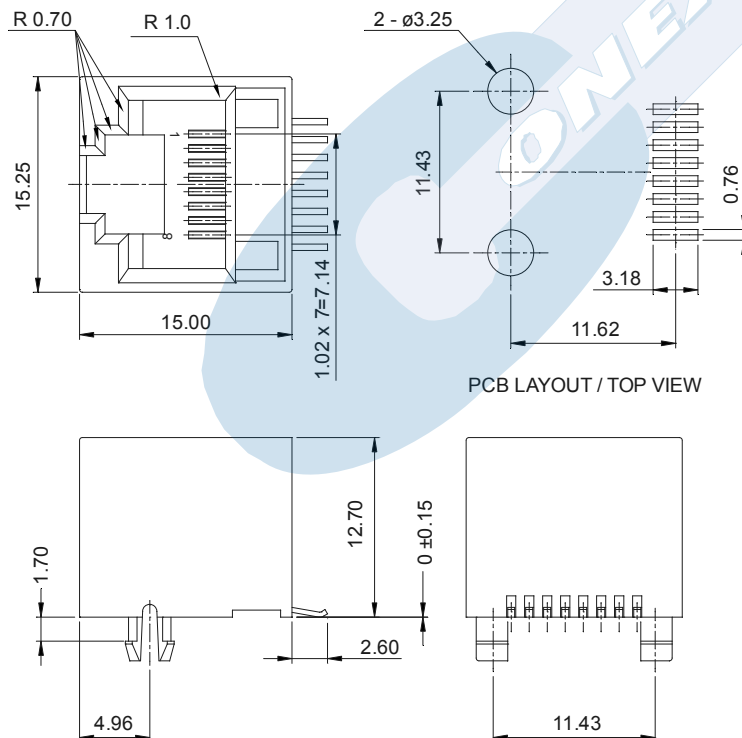
General Features

- Available in 8/8 circuits
- Standard telephone jack FCC-68
- 12.70 mm. height (Low profile)
- Accept standard plugs FCC-68 type
- Selective gold plating with different finish
- Bifurcated plastic foot print

Materials

- Insulator: Thermoplastic UL 94V-0
- Contact: 0.35 mm thickness phosphor bronze
- Operating temperature. -25°C to + 85°C
- RoHS compliant

Dimensional Information



Ordering Information:

7624 - T- XX- 1

1 2 3

1. Connector Series

2. (T) Contact Plating

- T = 4. 6µ" gold over 50µ" nickel
- T = 5. 15µ" gold over 50µ" nickel
- T = 6. 30µ" gold over 50µ" nickel
- T = 7. 50µ" gold over 50µ" nickel

3. (XX) Circuit Size

- Available in 8/8 circuits