

S/ ENTRY HALF SHIELDED PCB JACK FCC-68



7639 SERIES. Right angle PCB jack.

General Features

- Available in 6/4, 6/6, 8/8 and 10/10 circuits
- Standard telephone jack FCC-68
- Low profile: 13.19 mm.
- Accept standard plugs FCC-68 type
- Selective gold plating with different finish
- Bifurcated plastic foot print
- With/without panel stop

Materials

- Insulator: Thermoplastic UL 94V-0
- Contact: 0.35 mm thickness phosphor bronze
- Shielded: 0.25 mm thickness brass
- Operating temperature. -25°C to + 85°C
- RoHS compliant

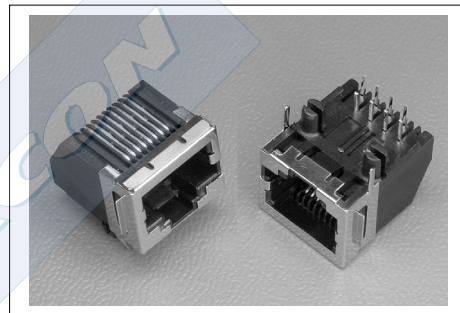
Dimensional Information

Electrical Features

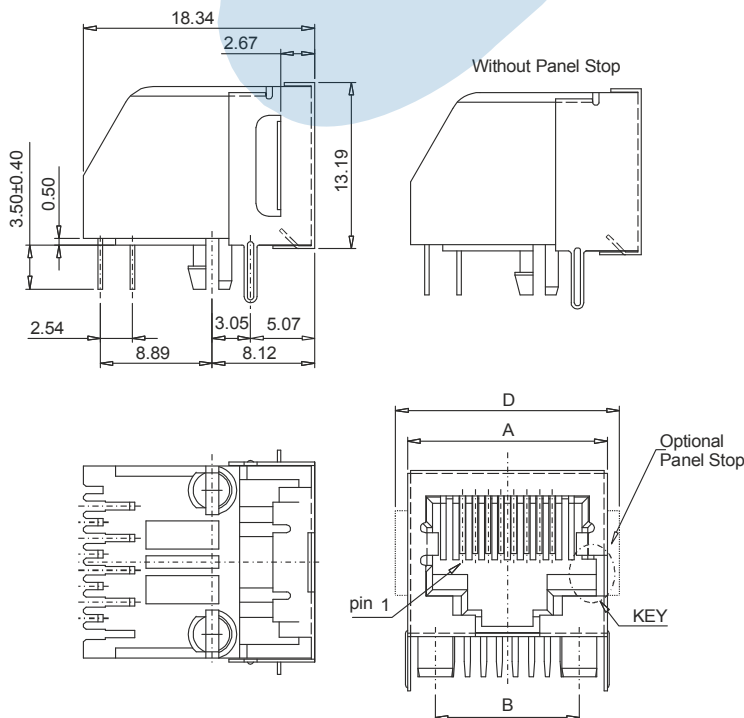
- Voltage rating: < 125V
- Current rating: < 1.50 A
- Contact resistance: < 20 mΩ
- Dielectric withstanding voltage: 300 V AC/minute
- Insulation resistance: >1000 MΩ

Mechanical Features

- Durability: 1000 cycles



Circuits	Part Number		Dimensions				
	With Panel stop	W/O Panel Stop	A	B	C	D	E
6/4	7639 – T641	7639 – T640	13.83(0.545)	10.16 (0.400)	3.81(0.150)	15.74 (0.620)	13.72 (0.540)
6/6	7639 – T661	7639 – T660	13.83(0.545)	10.16 (0.400)	6.35 (0.250)	15.74 (0.620)	13.72 (0.540)
8/6	7639 – T861	7639 – T860	15.86 (0.625)	11.43 (0.450)	6.35 (0.250)	17.78 (0.700)	15.75 (0.621)
10/10	7639 – T101	7639 – T100	15.86 (0.625)	11.43 (0.450)	11.43 (0.450)	17.78 (0.700)	15.75 (0.621)



T = Contact Plating

- T = 4. 6μ" gold over 50μ" nickel
- T = 5. 15μ" gold over 50μ" nickel
- T = 6. 30μ" gold over 50μ" nickel
- T = 7. 50μ" gold over 50μ" nickel

