

SIDE ENTRY MULTI PORT PCB JACK FCC-68



7655 SERIES. Right angle PCB jack. Dual Level.

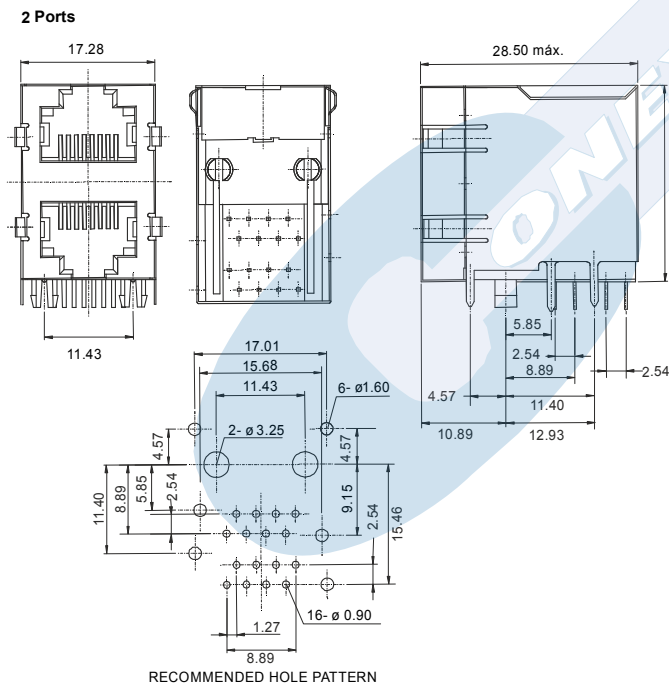
General Features

- Available in 8/8 circuits
- Standard telephone jack FCC-68
- Available in 2, 4, 8, 12 and 16 ports
- 25.30 mm. height
- Accept standard plugs FCC-68
- Selective gold with different plating
- Bifurcated plastic foot print

Materials

- Insulator: Thermoplastic UL 94V-0
- Contact: 0.35 mm round in phosphor bronze
- Operating temperature. -25°C to + 85°C
- RoHS compliant

Dimensional Information



Electrical Features

- Voltage rating: < 125V
- Current rating: < 1.50 A
- Contact resistance: < 20 mΩ
- Dielectric withstanding voltage: 300 V AC/minute
- Insulation resistance: >1000 MΩ

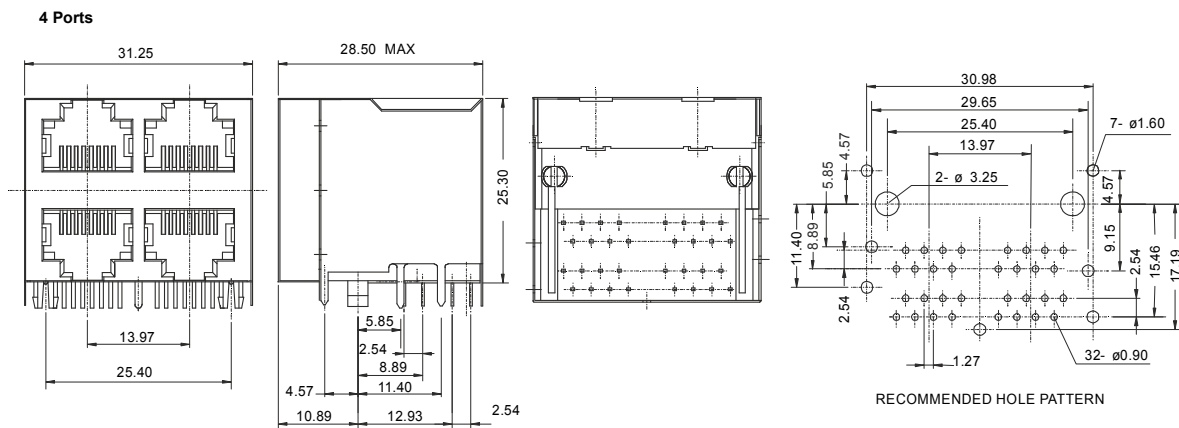
Mechanical Features

- Durability: 1000 cycles

Ports	Part Number	
	8/8	6/6
2	7655 - T021	7655 - T022
4	7655 - T041	7655 - T042
8	7655 - T081	7655 - T082
12	7655 - T121	7655 - T122
16	7655 - T161	7655 - T162

T = Plating Options

- T = 4. 6μ" gold over nickel
- T = 5. 15μ" gold over nickel
- T = 6. 30μ" gold over nickel
- T = 7. 50μ" gold over nickel

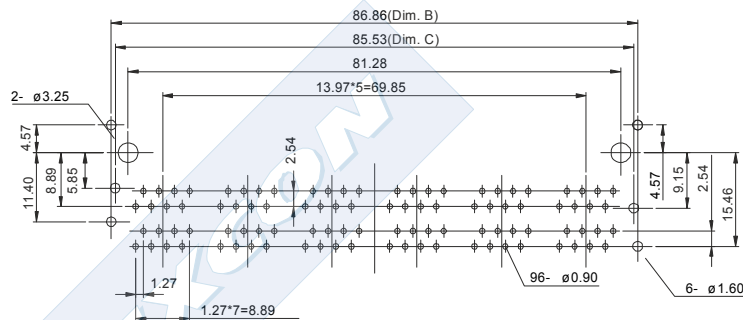
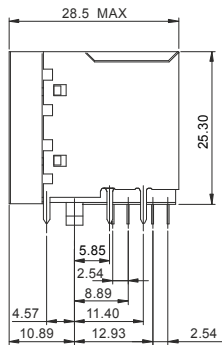
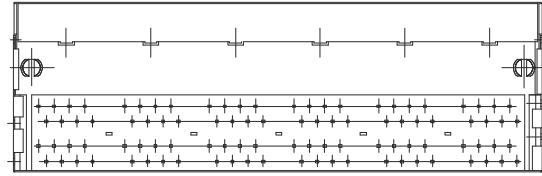
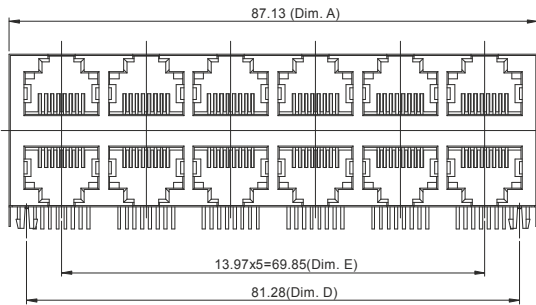


SIDE ENTRY MULTI PORT PCB JACK FCC-68



7655 SERIES. Right angle PCB jack. Dual Level.

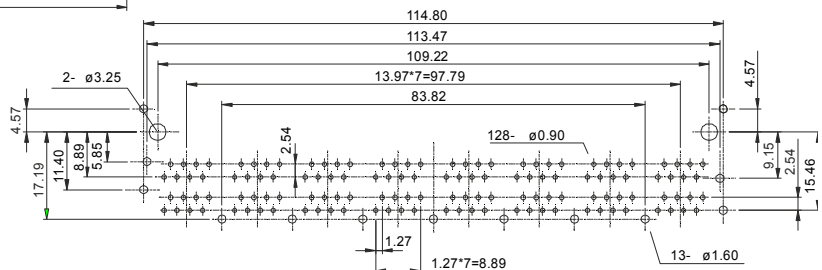
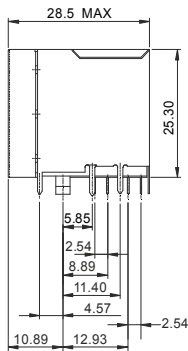
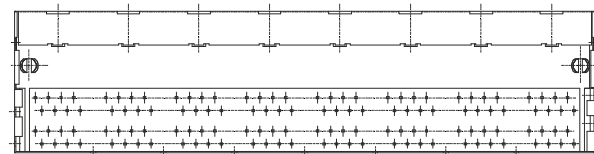
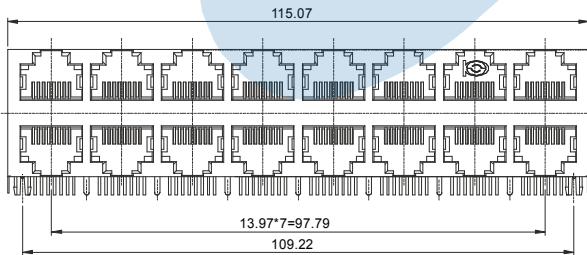
8 and 12 Ports



RECOMMENDED HOLE PATTERN

Ports	Dimensions				
	A	B	C	D	E
8	59.19(2.331)	58.92(2.320)	57.59(2.268)	53.34(2.100)	41.91(1.650)
12	87.13(3.430)	86.86(3.420)	85.53(3.368)	81.28(3.200)	69.85(2.750)

16 Ports



RECOMMENDED HOLE PATTERN