

# SIDE ENTRY PCB JACK FCC-68



## 7659 SERIES. With Ferrite. Shielded / Unshielded available.

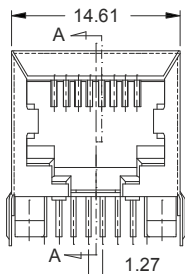
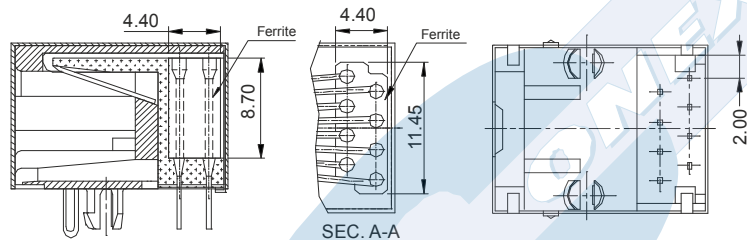
### General Features

- Available 6/4, 6/6 and 8/8 circuits
- Standard telephone jack FCC-68
- Low profile 12.95 mm.(Shielded). 12.70 (Unshielded)
- Accept standard plugs FCC-68
- Selective gold plating with different plating
- Bifurcated plastic foot print

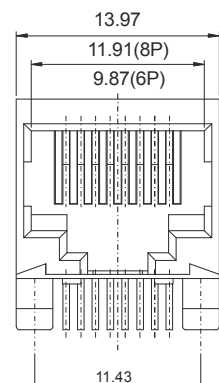
### Materials

- Insulator: Thermoplastic UL 94V-0
- Contact: 0.35 mm thickness phosphor bronze
- Shielded: 0.25 mm thickness brass
- Operating temperature. -25°C to + 85°C
- RoHS compliant

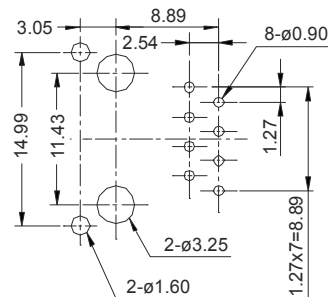
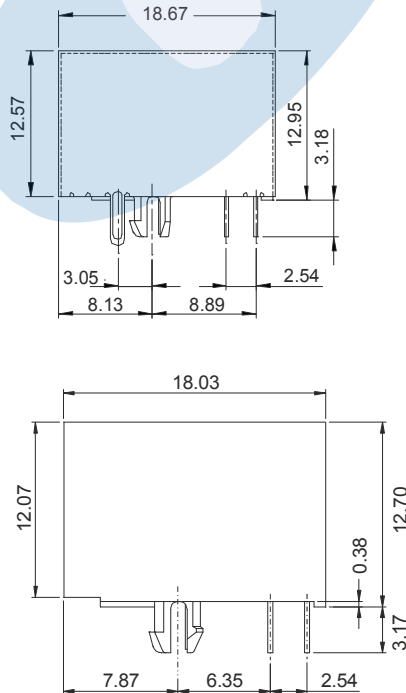
### Dimensional Information



SHIELDED VERSION



UNSHIELDED VERSION



RECOMMENDED HOLE PATTERN

### Electrical Features

- Voltage rating: < 125 V
- Current rating: < 1.50 A
- Contact resistance: < 20 mΩ
- Dielectric Withstanding Voltage: 300 V AC/minute
- Insulation Resistance: >1000 MΩ

### mechanical Features

- Durability: 1000 cycles

Circuits	Part Number	
	Unshielded	Shielded
6/4	7659 – T641	7659 – T642
6/6	7659 – T661	7659 – T662
8/8	7659 – T881	7659 – T882

### T = Plating Options

- T = 4. 6μ" gold over nickel
- T = 5. 15μ" gold over nickel
- T = 6. 30μ" gold over nickel
- T = 7. 50μ" gold over nickel

