

SIDE ENTRY SHIELDED PCB JACK FCC-68



7676 SERIES. Right angle PCB jack.

General Features

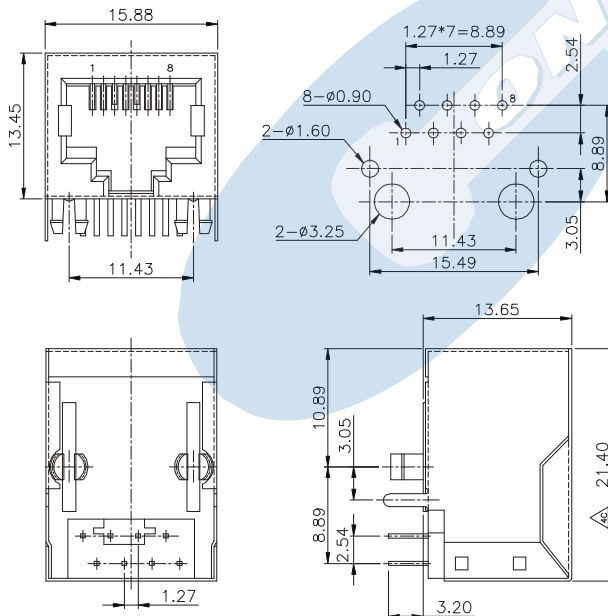
- Available in 8/8 circuits
- Standard telephone jack FCC-68
- 13.45 mm. height
- Accept standard plugs FCC-68 type
- Selective gold plating with different finish
- Bifurcated plastic foot print
- With/without grounding tabs

Materials

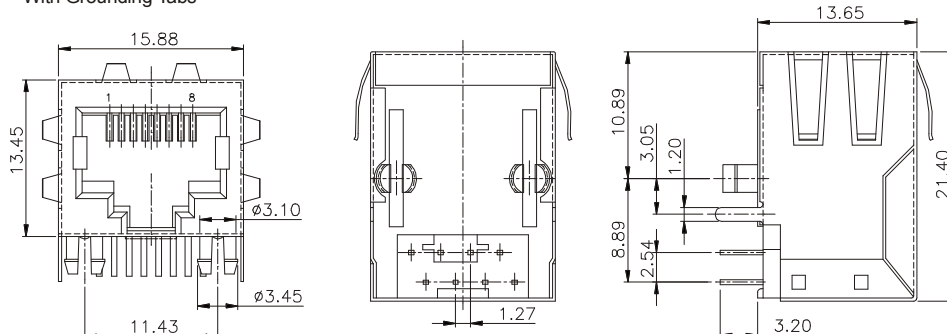
- Insulator: Thermoplastic UL 94V-0
- Contact: 0.35 mm thickness phosphor bronze
- Shielded: 0.25 mm thickness brass
- Operating temperature. -25°C to + 85°C
- RoHS compliant

Dimensional Information

Without Grounding Tabs



With Grounding Tabs



Electrical Features

- Voltage rating: < 125V
- Current rating: < 1.50 A
- Contact resistance: < 20 mΩ
- Dielectric withstanding voltage: 300 V AC/minute
- Insulation resistance: >1000 MΩ

Mechanical Features

- Durability: 1000 cycles

VERSION	Part Number	
	W/O Grounding Tabs	with Grounding Tabs
8/8	7676 – T881	7676 – T882

T = Contact Plating

- T = 4. 6μ" gold over 50μ" nickel
- T = 5. 15μ" gold over 50μ" nickel
- T = 6. 30μ" gold over 50μ" nickel
- T = 7. 50μ" gold over 50μ" nickel

