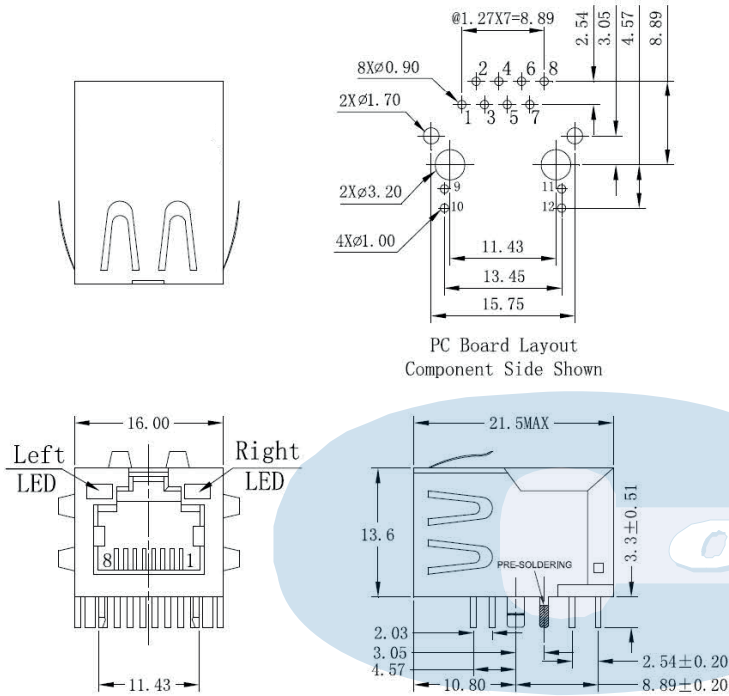
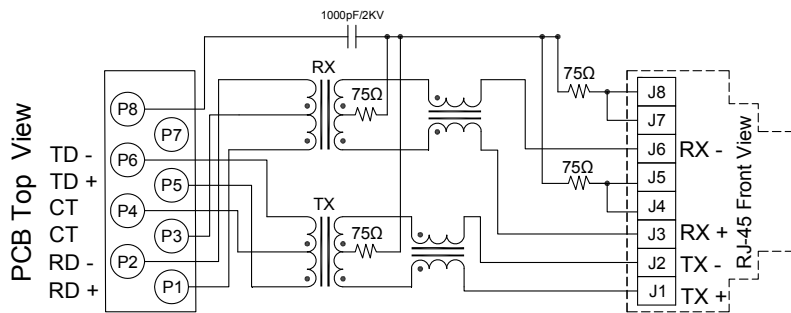


一、Mechanical Dimensions



Unit: mm Unless otherwise specified, all tolerances are ± 0.25

二、Schematics



Standard LED	Wavelength	Forward* V(MAX)	TYP
Green	565nm	7.0v	6.8v
Yellow	585nm	8.5v	7.5v

With a forward current of 20mA

REV.	DESCRIPTION	DATE	DWN	AP'PD
0		08.6.17	Hu	Li
1.0	Correct Operating Temperature	10.12.22	Hu	Liu
2.0	Correct appearance	13.4.8	Guo	Wu
3.0	Correct Housing	15.5.5	Chen	Hsu

三、ELECTRICAL SPECIFICATIONS@25°C:

1. Turn Ratio($\pm 5\%$):1CT:1CT
2. Inductance(100KHz/0.1V@8mA):350uH MIN
3. Insertion Loss(dB MAX):-1.1dB(0.5-100MHz).
4. Return Loss(dB MIN): -18dB(0.5-30MHz),
-18+20log(f/30MHz)dB(30-60MHz),
-12dB(60-80MHz).
5. Cross talk(dB MIN):-35dB(0.5-40MHz),
-33+20log(f/50MHz)dB(40-100MHz)
6. CMR(dB MIN):-30dB(0.5-100MHz).
7. HI-POT(Pri to Sec):1500Vrms/0.5mA/60Sec or 1650Vrms/0.5mA/2Sec
8. Operating Temperature: 0°C TO + 70°C
9. RoHS compliance: YES

RoHS
Compliant



TITLE 10/100 BASE-T SINGLE PORT RJ-45 JACK
MAGNETICS

P/N 7704-T8811F **REV.** 3.0

PAGE NO 1-4 **DATE** 2015-5-5

AP'PD Hsu **DWN**

四、Mechanicals

Housing Material:

MATERIAL:NYLON 66 UL94V-0 STANDARD COLOR:BLACK

Insert Material:

MATERIAL:Phos-Bronze C5210 EH---0.35mm Thickness

Insert -PBT GF UL94V-0

1.PLATING(1) NICKEL

2.PLATING(2) 100% Sn

3.PLATING(3) GOLD (3u " ~50u ")

Plate Material:

PBT GF UL 94V-0

Contact pin Material:

MATERIAL: Phos-Bronze C5191---0.35mm Thickness

1.PLATING(1) NICKEL

2.PLATING(2) 100% Sn

Shielding Material:

BRASS C2680 PLATING NICKEL

Operating Life:750 Cycles MIN.

五、Environmental

1.Storage Temp:-40°C TO +85°C.

2.Operating Temp: 0°C TO +70°C

3. MATES WITH MODULAR PLUG CONFORMING TO FCC PART 68,SUBPARTE.

六、Part Number:

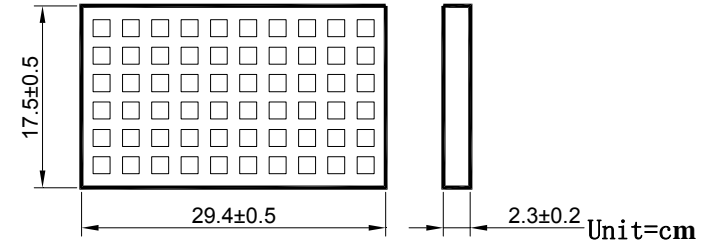
7704-T8811F

REV.	DESCRIPTION	DATE	DWN	AP'PD

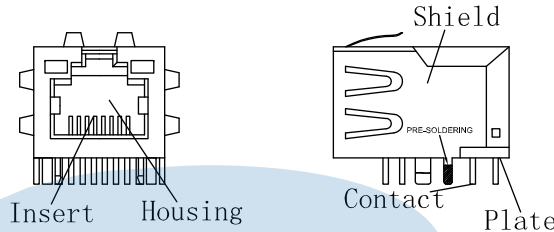
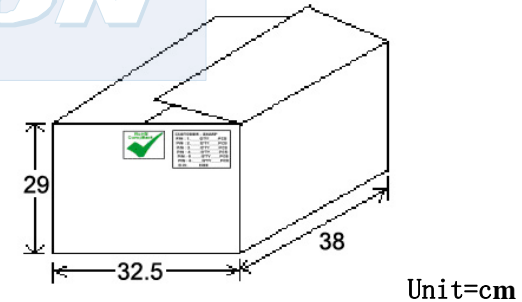
七、Packaging

1. packaging unit : 60 PCS/tray

2. packaging material : PET



3. outer carton unit: 1320 pcs/ 22 Trays/box



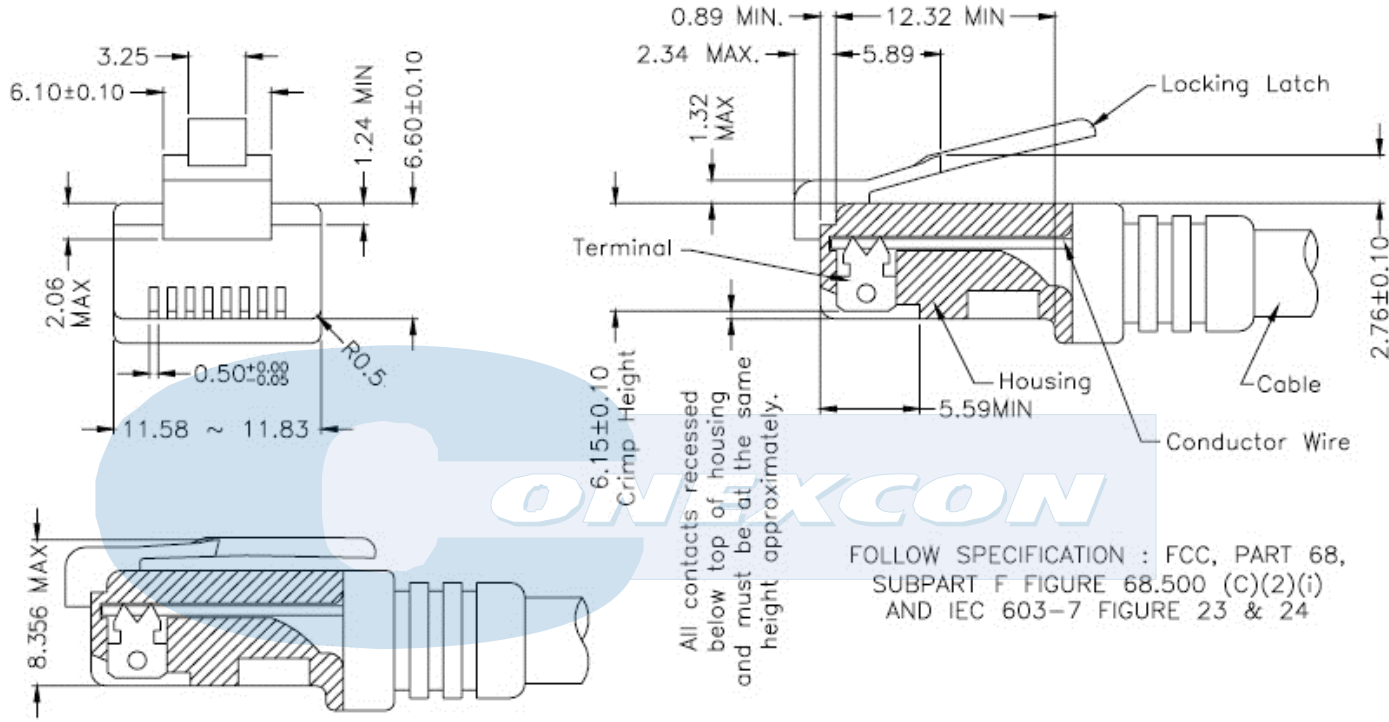
ONEXCON



TITLE		10/100 BASE-T SINGLE PORT RJ-45 JACK MAGNETICS		
P/N	7704-T8811F	REV.	3.0	
PAGE NO	2-4	DATE	2015-5-5	
AP'PD	Hsu	DWN		

八、 RJ PLUG SPECIFICATION

REV.	DESCRIPTION	DATE	DWN	AP'PD



FOLLOW SPECIFICATION : FCC, PART 68, SUBPART F
FIGURE 68.500 (C)(2)(ii)

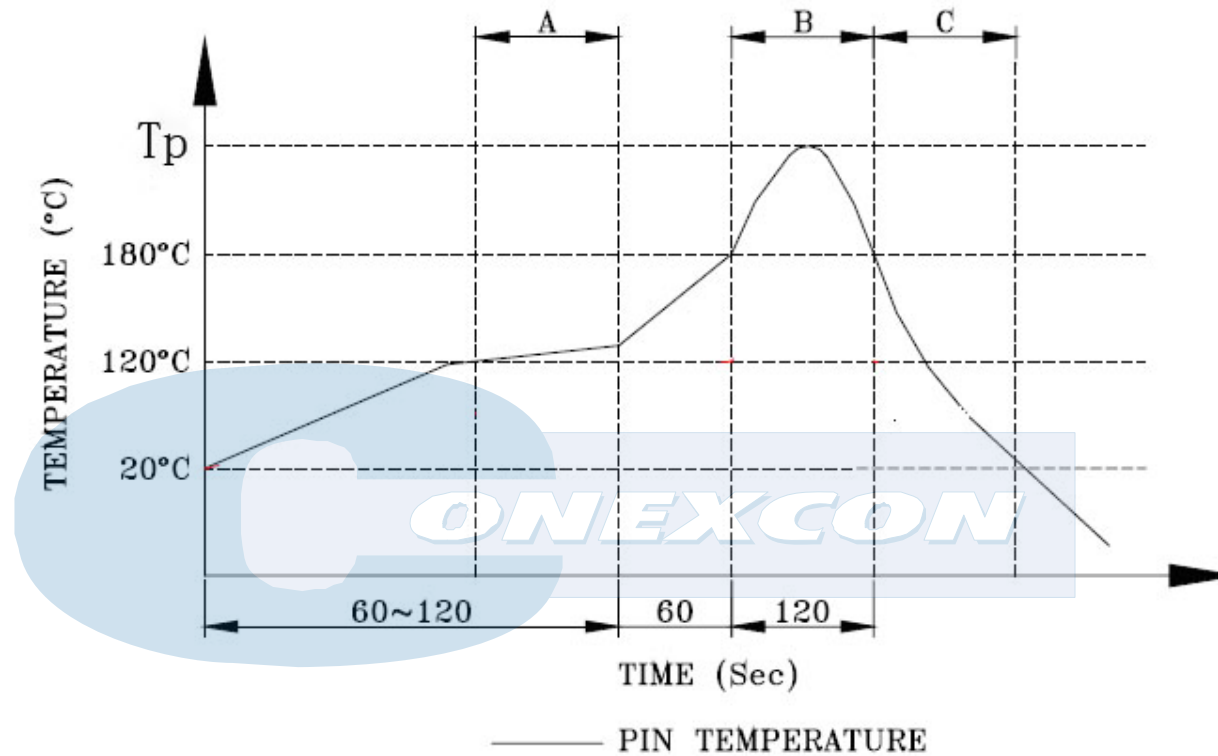
FOLLOW SPECIFICATION : FCC, PART 68,
SUBPART F FIGURE 68.500 (C)(2)(i)
AND IEC 603-7 FIGURE 23 & 24

STANDARD MODULAR PLUG ASSEMBLY

	TITLE	10/100 BASE-T SINGLE PORT RJ-45 JACK MAGNETICS		
	P/N	7704-T8811F	REV.	3.0
	PAGE NO	3-4	DATE	2015-5-5
	AP'PD	Hsu	DWN	

九、PROFILE OF WAVE SOLDER



REV.	DESCRIPTION	DATE	DWN	AP'PD



A. Preheating B. Soldering C. Gradual Cooling

SUGGESTED WAVE SOLDER CURVE

1. Peak temperature(T_p) : $250^{\circ}\text{C} \pm 10^{\circ}\text{C}$
2. Peak temperature(T_p) time : 5sec max

				
	TITLE	10/100 BASE-T SINGLE PORT RJ-45 JACK MAGNETICS		
	P/N	7704-T8811F	REV.	3.0
	PAGE NO	4-4	DATE	2015-5-5
	AP'PD	Hsu	DWN	