

CRIMP FEMALE TERMINAL



7742 – 7744 SERIES. 5.70 (0.224") mm. Pitch.

General Features

- Accommodates wire range AWG 12 through 16
- Use in housing 5.70 mm. pitch 7740 series
- Female contact tin plated locking lance
- Maximum insulation diameter 4.11 mm (0.161")

Materials

- Contact: High conductivity brass alloy tin plated
- Operating temperature: -40°C to +105°C

Electrical Features

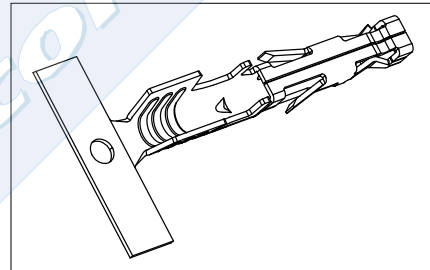
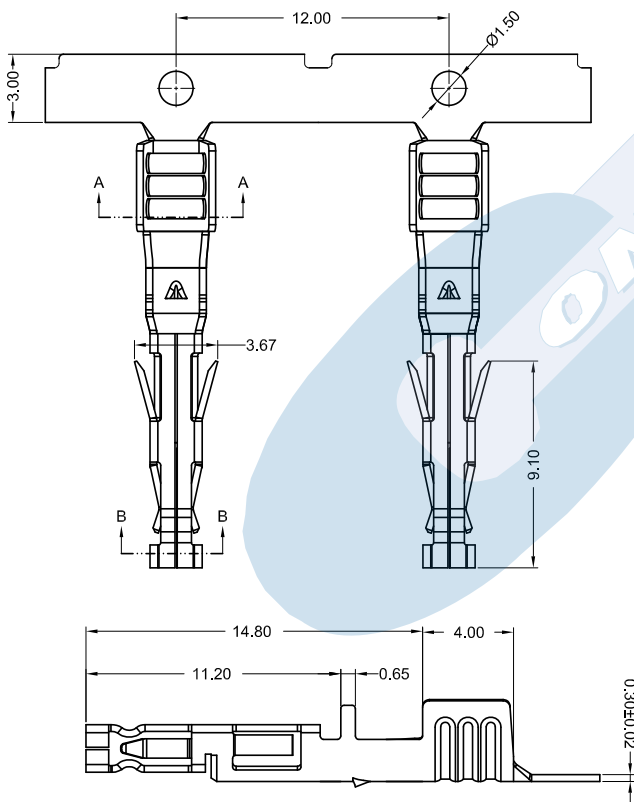
- Current rating: < 23 A
- Contact resistance: < 10 mΩ

Mechanical Features

- Durability: 25 cycles
- Wire pull-out force:

22 Kgf	12 AWG
22 Kgf	14 AWG
20 Kgf	16 AWG

Dimensional Information



7742 / 7744 - T- 00- E

1

2

1. Terminal Series

- 7742 for 12 AWG
- 7744 for 14 to 16 AWG

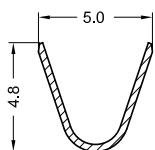
2. (T) Contact Plating

- T = 2. Tin plated

2. (E) Packing Options

- E = 0. Chain
- E = 1. Loose Piece

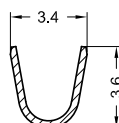
Series: 7742



SECTION A-A
SCALE 1:1

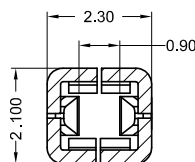
CONDUCTOR CRIMP 12 AWG

Series: 7744



SECTION A-A
SCALE 1:1

CONDUCTOR CRIMP 14/16 AWG



SECTION B-B
SCALE 2:1